



POWER - MASTER

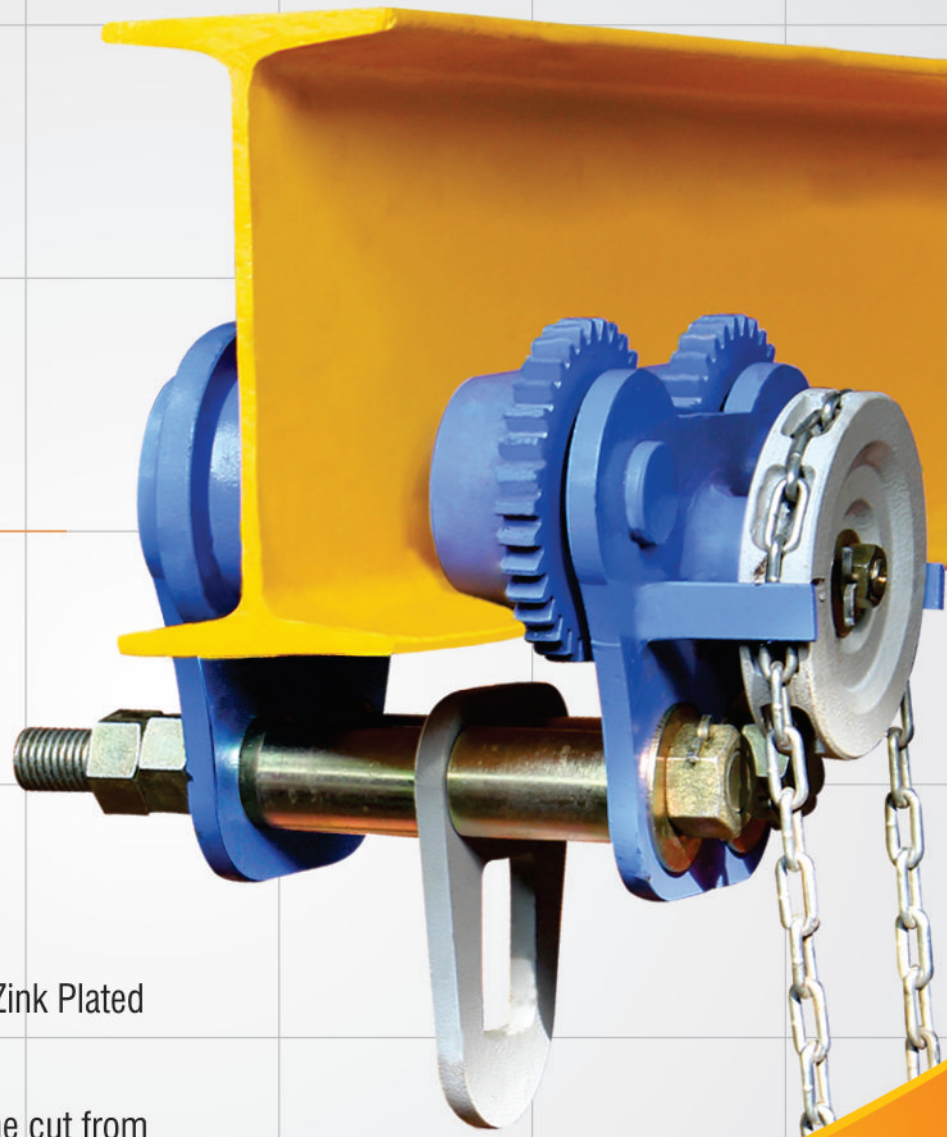
POWER - MASTER

...makes Material Handling

Smooth • Simple • Safe

MONORAIL TROLLEY

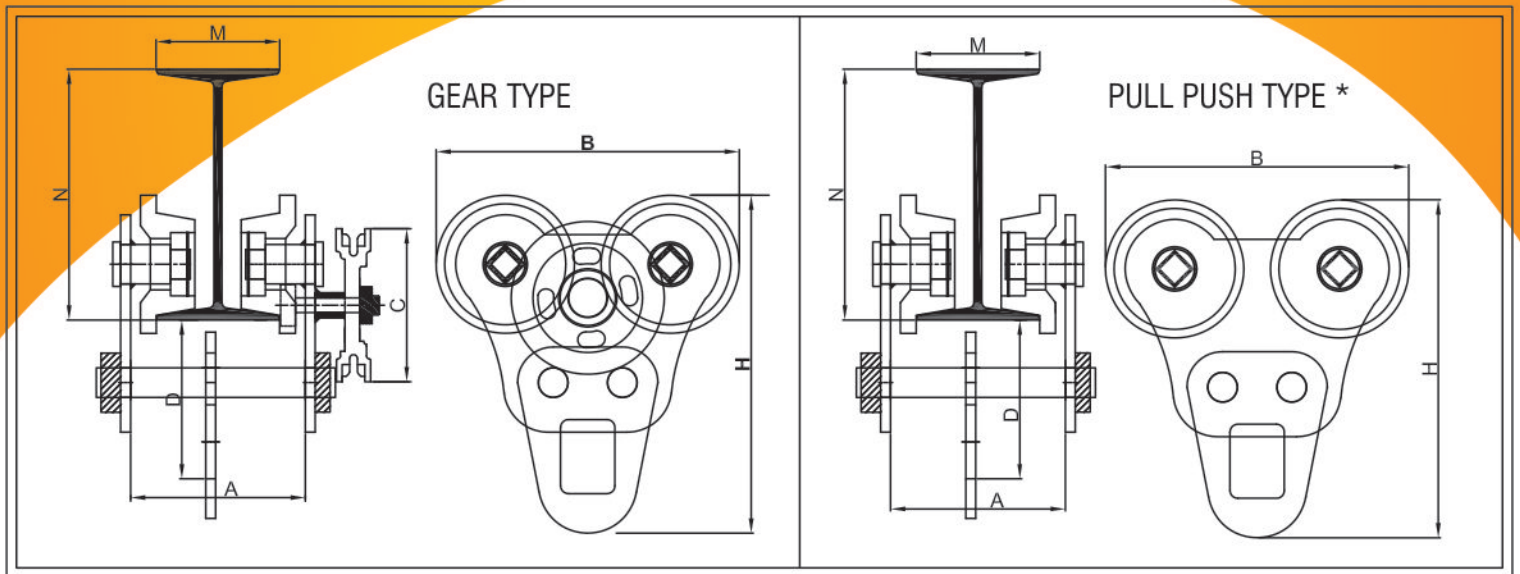
Super Series



Standard Features

- | An ISO 9001-2008 Company
- | Light Weigh & Sturdy
- | Easy Of Handling
- | Smooth Hand Chain Operation
- | Tested As Per ISI Procedure
- | Anti Corrosive Powder Coated Finish, Zink Plated Load Bars, Washers & Locking Nuts.
- | Shafts & axles are accurately machine cut from carbon steel & properly supported.
- | Excellent travel ability due to Ball bearing in wheels.





* upto 2 Ton

Model	Capacity TONNES	A	B	C	D	M (Min)	M (Max)	N	H	Net WT with 3mtr Lif. KGS	Extra WT per Additional mtr Lif.
SS 1C	1	138	210	125	125	75	100	150	255	12	0.7
SS 2C	2	136	240	125	130	75	150	150	265	14	0.7
SS 3C	3	162	265	150	140	100	180	200	290	24	0.7
SS 5C	5	205	310	150	175	125	180	250	340	34	0.7

All capacity trolleys can be supplied for bigger 'I' beam sizes than given in above table at an extra cost. Exact 'I' beam size to be given at the time of order.

Curvature Trolley can be supplied only as per your detail drawing & Specification.

Data Tolerance $\pm 10\%$
 Due to continuous up gradation, specifications are subject to change without notice.



POWER - MASTER

Manufactured by :

N. K. ENGINEERS
 Ahmedabad, India
 (AN ISO 9001-2008 CERTIFIED)

AUTHORISED DEALER